



**D-313
M2
EMERGENCY**

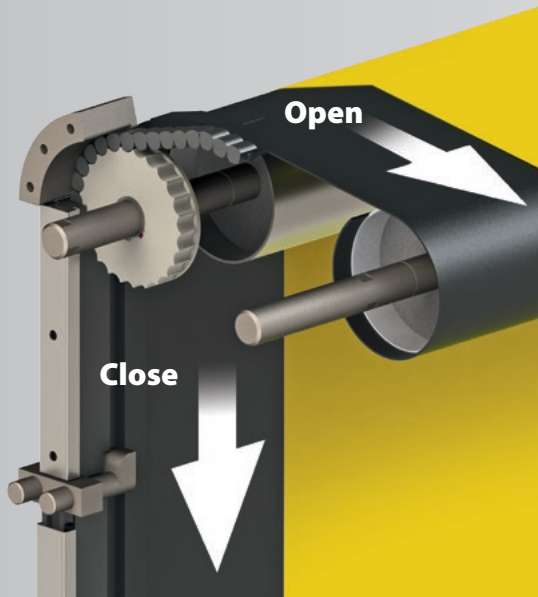


inside door



D-313 - M2 EMERGENCY

"PUSH-PULL^{PT}" drive technology (M2 version)



Dynaco was founded in 1987, dedicated to finding a solution for any damages caused by - and to - high-speed roll-up doors. Inspired by flexible pool covers, Dynaco designed the first ever flexible, self-repairing door, known as the Dynaco Classic.

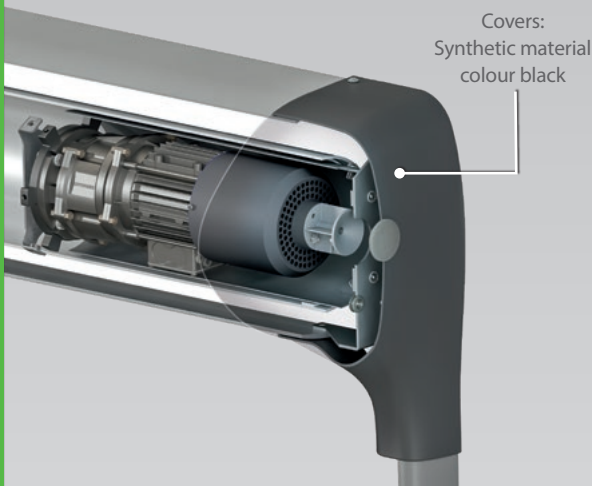
Later, another innovation followed: Dynaco's revolutionary Push-Pull technology, marketed as the "magic" door. Thanks to this continuous innovative approach and passion, Dynaco is known for producing "the most copied door in the world".

The company distributes doors through a network of professionals only, active in 5 continents.

With its most extensive product range in the industry, Dynaco stays always AHEAD. And always operates with the end-user in mind.

Dynaco is a pioneer in Emergency-Exit Solutions within the High-Speed Doors industry, more precisely with the following 2 models: D-313 LF and M2.

Motor incorporated in the drum - DVDMP^{PT} (D-313 version)



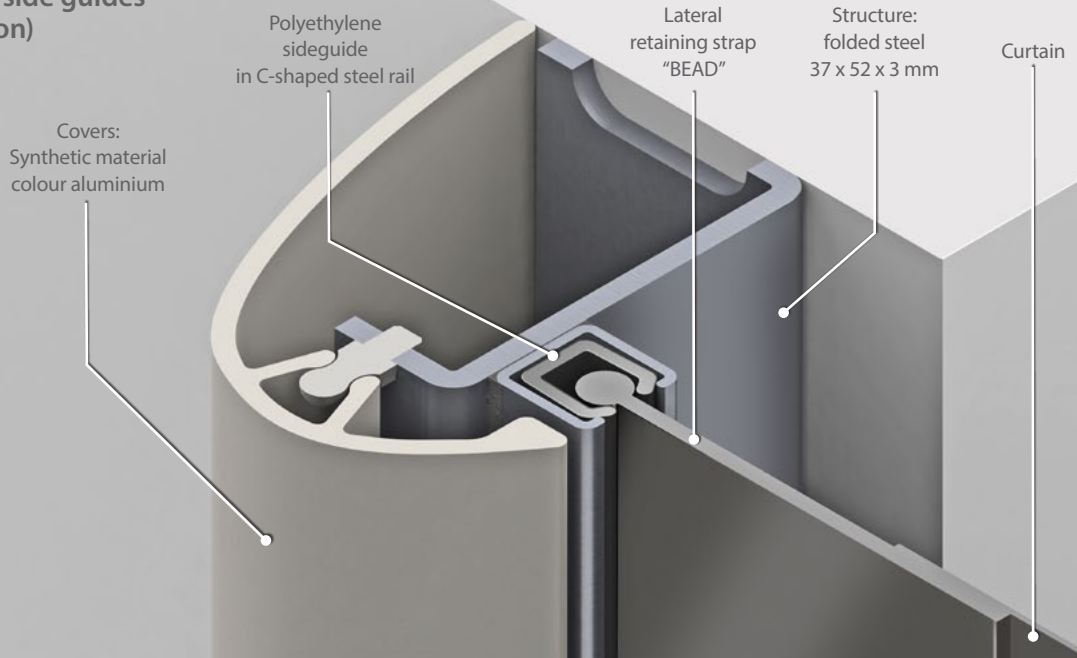
Opening by pushing at the emergency release spots



Emergency exit open



Low friction side guides (D-313 version)



The Dynaco D-313 and M2 Emergency Door were designed to function as an internal emergency exit. They offer all the advantages of Dynaco High-Speed Doors.

The ingenious T-shaped cut in the middle allows for two symmetric flaps to release an emergency exit, simply by pushing on the release spots indicated.

D-313 Emergency LF is the slimmest high-speed door in the market. Its smooth operation and low maintenance requirements make it perfect for retail applications.

The Dynaco M2 Emergency Exit was designed for inside applications with intensive use, in combination with an emergency exit.

Why this is the right door for your business?



Exit route

Combine the advantages of a Dynaco high-speed door with the benefits of an emergency exit, while still complying with local regulations. A patented smart solution when side space for a dedicated emergency exit is not an option.



Energy-saving

All Dynaco high-performance doors are designed to deliver the best possible sealing properties and minimal opening/closing cycle. Their dynamic barrier significantly reduce energy costs.



Extremely safe

At Dynaco we never compromise on safety. All doors operate according to the highest safety standards, thanks to their soft bottom edge and our self-testing safety devices.



Uninterrupted workflow

Our high-performance doors are designed to guarantee continuous operation, no matter the traffic conditions.



Reduced maintenance cost

With technical features such as our self-reinserting system, soft bottom edge and our frequency converter technology, Dynaco doors help you keep maintenance at a minimum.



Environment control

Dynaco doors not only open but also close fast. Their opening time is minimal to avoid temperature fluctuations that may affect product quality.



Comfort of use

Dynaco doors are suited to a wide range of applications. Thanks to our different opening options and certified safety-devices, you are safe whenever you cross a Dynaco door.



Perfect seal

Dynaco doors deliver significant energy savings, thanks to their patented side guides with «BEAD» technology. As production areas require the absence of dust, dirt and vermin, Dynaco doors offer a tight seal and high speed, which keep out any type of contaminant.

Why Dynaco?



Automatic self-reinsertion

At Dynaco we invented the crash-forgiving, self-reinserting door. The one and only original. Its curtain automatically reinserts when dislodged, without intervention. This means: no repair costs, nor costly production downtime.



Patented BEAD side guides

Our patented BEAD side guides deliver the highest sealing properties, the best way to maintain environmental conditions and reduce energy costs. The Low Friction (LF) system allows not only for smooth and silent operation, but also increased safety, thanks to the absence of weight in the soft-bottom edge on every door.



Push-Pull Technology

Thanks to our patented push-pull technology - our doors' most famous advantage - every Dynaco door closes with a mechanically-driven side guides system, which ensures continuous operation.



Frequency converter

Dynaco doors operate with the most advanced drive unit in the industry. The combination of a frequency-driven motor and encoder offer smooth operation and reliability. Any wearable elements are reduced to a minimum.



Dynalogic control box

All doors can be fitted with a touch-screen control unit: our Dynalogic 5 control box. The most user-friendly, self-diagnostic option, which allows for remote control management. It increases efficiency and helps you monitor any door's status. At any time, from any desk.



Certified performance

Performance of all Dynaco doors has been tested and certified by a third-party notifying body.



Dynaco offers a wide range of products for several industrial applications.
Find out more on www.dynacodoor.com.

**D-313
M2
EMERGENCY**

Always ahead



Dynaco Europe NV
Waverstraat 21 B-9310 Moorsel-Aalst (Belgium)
Tel. +32 53 72 98 98 info@dynacodoor.com
www.dynacodoor.com

About Dynaco

Dynaco is the world leader in high speed door technology. It offers state of the art solutions for both commercial and industrial applications, including sectional overhead doors.

Founded in 1987, Dynaco has acquired an extensive expertise in high performance doors. Yet it continues to invest in order to exceed your expectations of quality and performance. A network of certified and dedicated partners ensures an optimal service to customers all over Europe.

Dynaco is part of the ASSA ABLOY Group, the world leader in access solutions. Every day, we help billions of people experience a more open world.