



D-501 COMPACT

inside door



D-501 COMPACT



Dynaco was founded in 1987, dedicated to finding a solution for any damages caused by - and to - high-speed roll-up doors. Inspired by flexible pool covers, Dynaco designed the first ever flexible, self-repairing door, known as the Dynaco Classic.

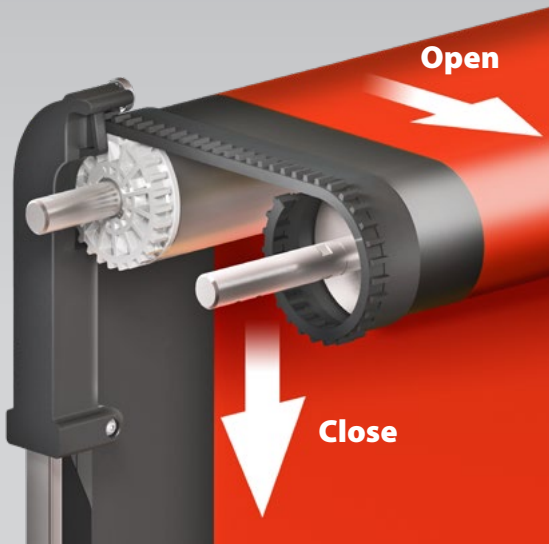
Later, another innovation followed: Dynaco's revolutionary Push-Pull technology, marketed as the "magic" door. Thanks to this continuous innovative approach and passion, Dynaco is known for producing "the most copied door in the world".

The company distributes doors through a network of professionals only, active in 5 continents.

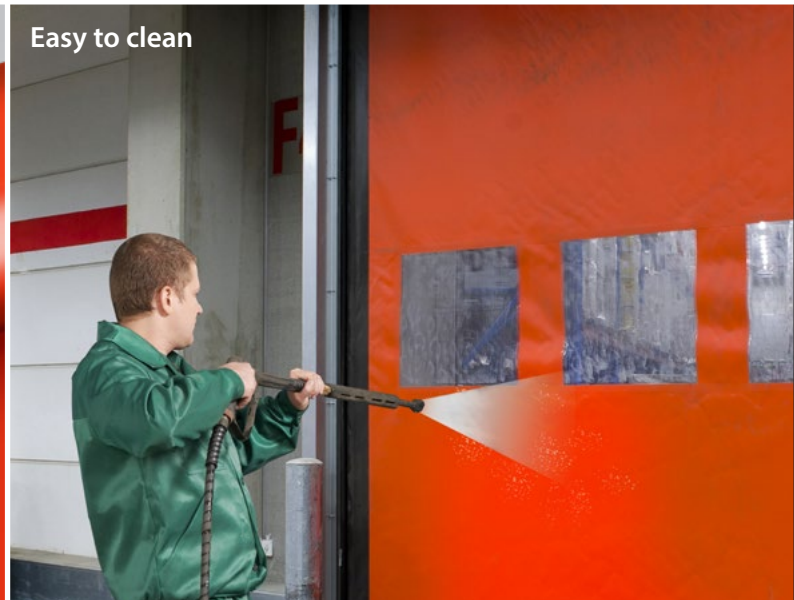
With its most extensive product range in the industry, Dynaco stays always AHEAD. And always operates with the end-user in mind.

Dynaco D-501 was specifically designed for internal medium-sized high-traffic applications, where air vortices are an issue.

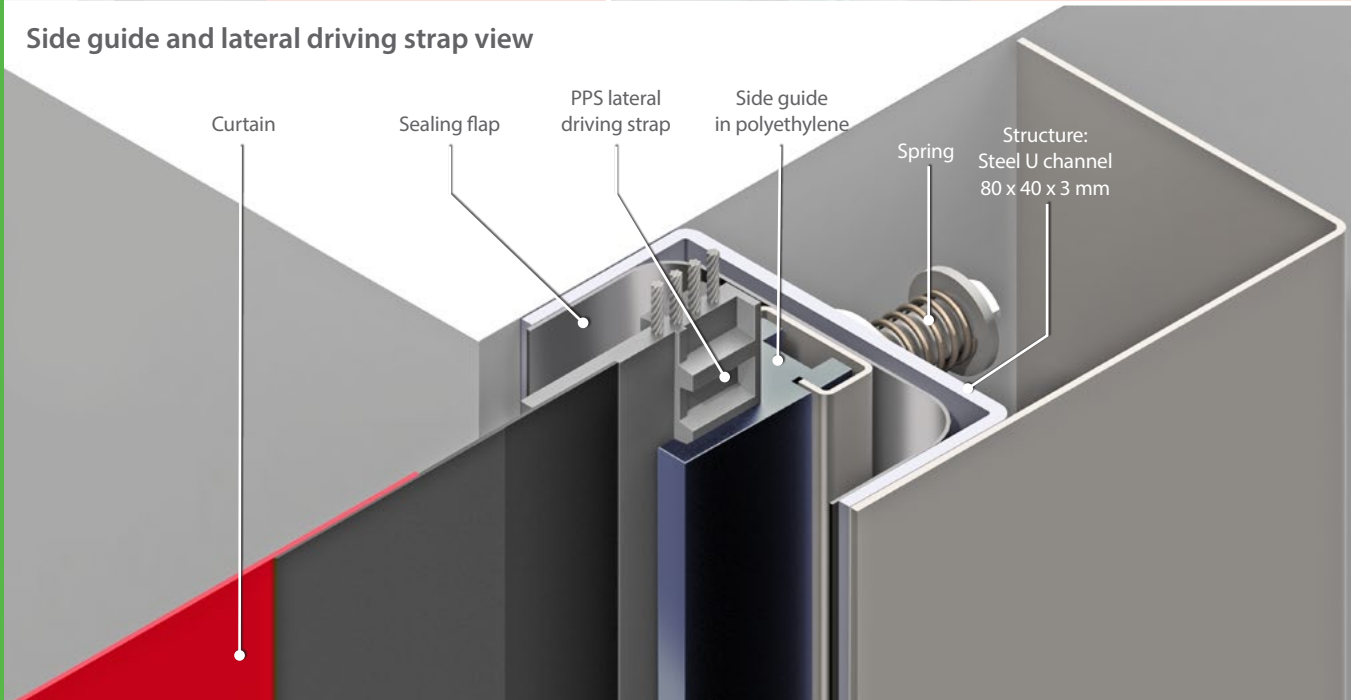
New "PUSH-PULL^{PT}" Drive Technology



Easy to clean



Side guide and lateral driving strap view



With its "Push Pull" technology, the Dynaco D-501 Compact is fast, smooth and silent. It protects your environment against drafts, humidity, dust and dirt.

Operating speed and perfect sealing properties improve your traffic flows and provide environmental control and energy savings.

Why this is the right door for your business?



Environment control

Dynaco doors not only open but also close fast. Their opening time is minimal to avoid temperature fluctuations that may affect product quality.



Smooth operation

The absence of curtain slats reduces building vibrations. Specially designed retaining straps run smoothly in the side guides, thus reducing any operating noise, which greatly contributes to user comfort.



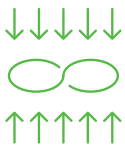
Uninterrupted workflow

Our high-performance doors are designed to guarantee continuous operation, no matter the traffic conditions.



Reduced maintenance cost

With technical features such as our self-reinserting system, soft bottom edge and our frequency converter technology, Dynaco doors help you keep maintenance at a minimum.



Suited to heavy-duty operations

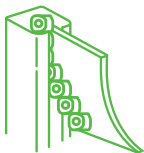
Thanks to their unique drive system and high-quality components, Dynaco push-pull doors are recommended for high-traffic situations.



Extremely safe

At Dynaco we never compromise on safety. All doors operate according to the highest safety standards, thanks to their soft bottom edge and our self-testing safety devices.

Why Dynaco?



Automatic self-reinsertion

At Dynaco we invented the crash-forgiving, self-reinserting door. The one and only original. Its curtain automatically reinserts when dislodged, without intervention. This means: no repair costs, nor costly production downtime.



Push-Pull Technology

Thanks to our patented push-pull technology - our doors' most famous advantage - every Dynaco door closes with a mechanically-driven side guides system, which ensures continuous operation.



Frequency converter

Dynaco doors operate with the most advanced drive unit in the industry. The combination of a frequency-driven motor and encoder offer smooth operation and reliability. Any wearable elements are reduced to a minimum.



Dynalogue control box

All doors can be fitted with a touch-screen control unit: our Dynalogue 5 control box. The most user-friendly, self-diagnostic option, which allows for remote control management. It increases efficiency and helps you monitor any door's status. At any time, from any desk.



Conform to EN norms

All Dynaco doors are completely conform to EN13241-1.



Comfort of use

Dynaco doors are suited to a wide range of applications. Thanks to our different opening options and certified safety-devices, you are safe whenever you cross a Dynaco door.



Certified performance

Performance of all Dynaco doors has been tested and certified by a third-party notifying body.



Sensitive, soft-bottom edge and photocells

All Dynaco doors come with 2 safety devices: a wireless, bottom-edge obstacle-detection device called AWDD, and a pair of photocells to monitor the doorway transit area.



Dynaco offers a wide range of products for several industrial applications.
Find out more on www.dynacodoor.com.

D-501 COMPACT

Always ahead



Dynaco Europe NV
Waverstraat 21 B-9310 Moorsel-Aalst (Belgium)
Tel. +32 53 72 98 98 info@dynacodoor.com
www.dynacodoor.com

About Dynaco

Dynaco is the world leader in high speed door technology. It offers state of the art solutions for both commercial and industrial applications, including sectional overhead doors.

Founded in 1987, Dynaco has acquired an extensive expertise in high performance doors. Yet it continues to invest in order to exceed your expectations of quality and performance. A network of certified and dedicated partners ensures an optimal service to customers all over Europe.

Dynaco is part of the ASSA ABLOY Group, the world leader in access solutions. Every day, we help billions of people experience a more open world.