



DYNACO
High Performance Doors

I-14P
PANEL
I-14F
FRAME

industrial sectional
overhead doors



www.dynacodoor.com

I-14P PANEL I-14F FRAME



Dynaco was founded in 1987, dedicated to finding a solution for any damages caused by - and to - high-speed roll-up doors. Inspired by flexible pool covers, Dynaco designed the first ever flexible, self-repairing door, known as the Dynaco Classic.

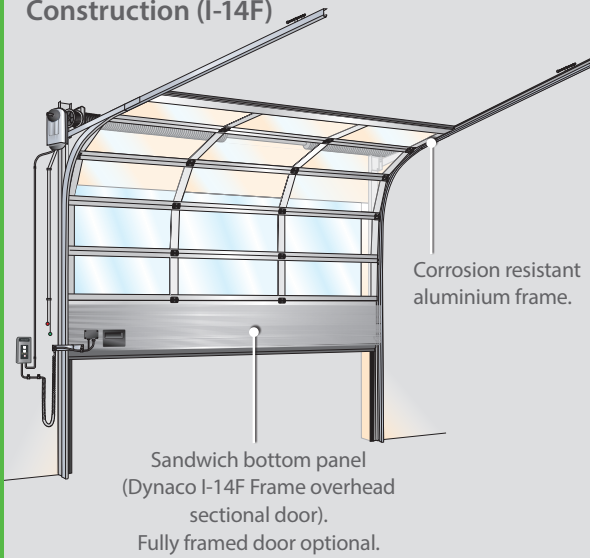
Later, another innovation followed: Dynaco's revolutionary Push-Pull technology, marketed as the "magic" door. Thanks to this continuous innovative approach and passion, Dynaco is known for producing "the most copied door in the world".

The company distributes doors through a network of professionals only, active in 5 continents.

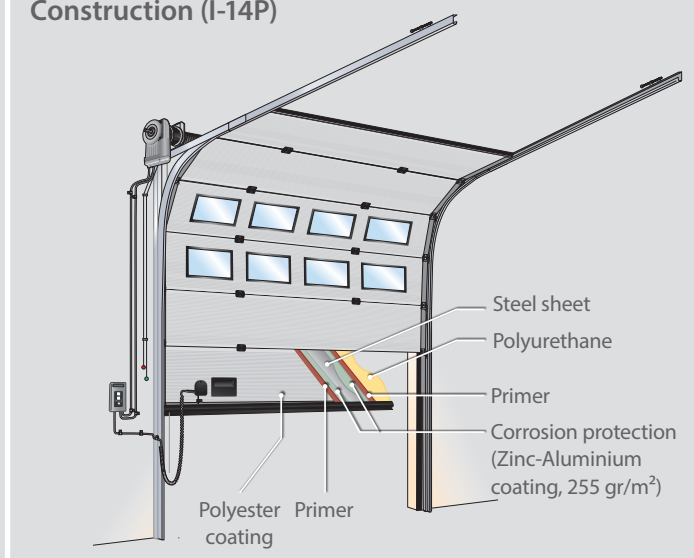
With its most extensive product range in the industry, Dynaco stays always AHEAD. And always operates with the end-user in mind.

Besides High-Performance Doors, Dynaco offers a complete portfolio of Sectional Overhead Doors.

Construction (I-14F)



Construction (I-14P)



Access and automation options



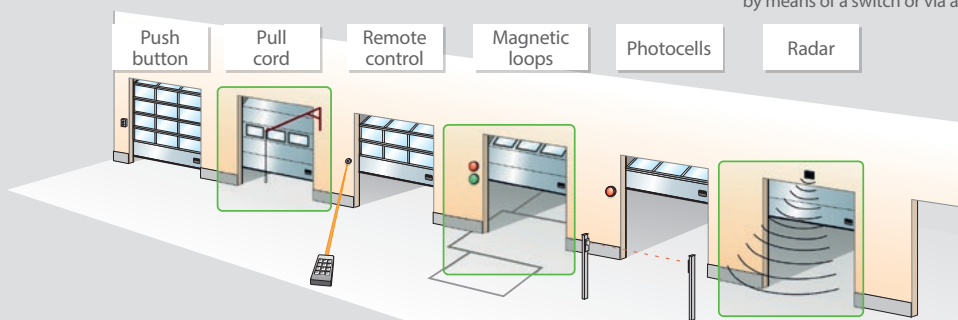
Assisted manual operation. Two different types of chain hoist are available, depending on door weight.



All manual doors can be upgraded with electric motors and automation.



Complete lock including handle and cylinder for both sides or inside only. Any door equipped with an electrical lock can be remotely locked by means of a switch or via a PC.



The Dynaco I-14 P Panel Overhead Sectional Door, with its modern, sleek design, is one of the most stable and well-insulated overhead doors on the market. The door is made of panels without thermal bridge, to reduce thermal transmittance and consequent energy cost.

The Dynaco I-14 F Frame Overhead Sectional Door is made of aluminium tubular profiles, filled with sandwich panels or acrylic windows. Its high light admission makes this door the ideal choice for working environments that require maximum illumination.

Both Dynaco Sectional Overhead Doors are suited to any type of building or environment, both with regards to function and appearance.

They fully disappear under the roof when open, leaving the door opening completely free.

The Dynaco I-14P and I-14F Overhead Sectional Doors were designed to meet all operational and safety requirements in the European Directives and the standards issued by the European Standardisation Committee, CEN.

Why this is the right door for your business?



User safety

Thanks to the balancing system heavy forces are supported. In case of a spring or cable break its counterforce is lost. The door is therefore equipped with safety devices that can block downward door movement.



Electrical operations

All doors can be equipped of the IDO7 Operator. With a built in frequency convertor. It provides the advantages of a 230V single phase power supply. Also available in the 2H version: double speed operator, 0,5m/s opening and 0,25m/s closing.



Unique glass technology

Thanks to the 2,5 mm acrylic we create a better appearance of the facade without any reflection.



Made to measure

This door is fully customizable with a large aesthetic choice.



Energy saving

The windows allows natural daylight to enter the building, requiring less use of artificial light.

Why Dynaco?



Conform to EN norms

All Dynaco doors are completely conform to EN13241-1.



Certified performance

Performance of all Dynaco doors has been tested and certified by a third-party notifying body.



Wind resistant

Wider door panels and panels with windows are reinforced with metal profiles that act as trusses.



Rigid and secure

Dynaco sectional overhead doors are ideal to protect your building when closed.



Dynaco offers a wide range of products for several industrial applications.
Find out more on www.dynacodoor.com.

I-14P
PANEL

I-14F
FRAME

Always ahead



Dynaco Europe NV
Waverstraat 21 B-9310 Moorsel-Aalst (Belgium)
Tel. +32 53 72 98 98 info@dynacodoor.com
www.dynacodoor.com

About Dynaco

Dynaco is the world leader in high speed door technology. It offers state of the art solutions for both commercial and industrial applications, including sectional overhead doors.

Founded in 1987, Dynaco has acquired an extensive expertise in high performance doors. Yet it continues to invest in order to exceed your expectations of quality and performance. A network of certified and dedicated partners ensures an optimal service to customers all over Europe.

Dynaco is part of the ASSA ABLOY Group, the world leader in access solutions. Every day, we help billions of people experience a more open world.